



P Series Etching Presses

The "Professional" Etching Presses.



The large diameter rollers (7.5 inches) ensure uniform pressure distribution.

Rollers are supported by oversized, maintenance-free bushings.

The large ratio gearbox and the large 4 spokes wheel, provide easy and smooth printing. The gearbox is mounted on the upper roller.

The bed plate is made of 0.39 inches high strength steel and has a 1mm galvanized steel cover. It is supported and guided by roller bearings and has elastic stops at the ends.

Press is supported by 4 swivel, adjustable height feet, so it can be placed on uneven ground.

Pressure gauges, with 0.1mm accuracy, provide ease of height adjustment when using different materials

Maximum opening: 1.6 inches (3.9 upon request).

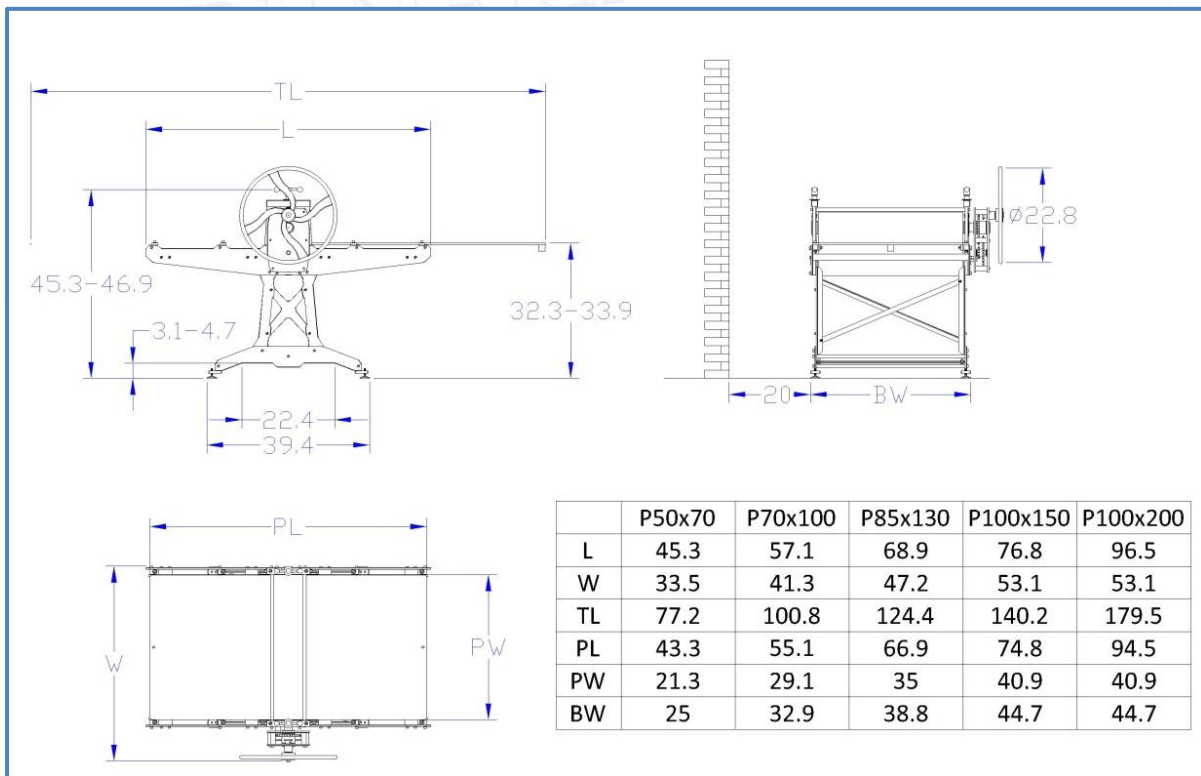
P Series Etching Presses



Technical Data

	P50x70	P70x100	P85x130	P100x150	P100x200
Upper Roller Diameter <i>inch</i>	7.5	7.5	7.5	7.5	7.5
Lower Roller Diameter <i>inch</i>	7.5	7.5	7.5	7.5	7.5
Reduction	1/12	1/15	1/18	1/21	1/21
Bed Plate Thickness <i>inch</i>	0.39	0.39	0.39	0.39	0.39
Bed Plate Width <i>inch</i>	21.3	29.1	35	40.9	40.9
Bed Plate Travel <i>inch</i>	33.9	45.7	57.5	65.4	85
Max Opening <i>inch</i>	1.6	1.6	1.6	1.6	1.6
Weight approx. <i>lbs</i>	673	860	1037	1200	1325

Dimensions (inch)



P Series Etching Presses