



M Series Etching Presses

The most popular, professional Etching Presses.



The large diameter rollers (15cm) ensure uniform pressure distribution.

Rollers are supported by oversized, maintenance-free bushings.

The large ratio gearbox and the large 4 spokes wheel, provide easy and smooth printing. The gearbox is mounted on the upper roller.

The bed plate is made of 10mm high strength steel and has a 1mm galvanized steel cover. It is supported and guided by roller bearings and has elastic stops at the ends.

Press is supported by 4 swivel, adjustable height feet, so it can be placed on uneven ground.

Pressure gauges, with 0.1mm accuracy, provide ease of height adjustment when using different materials

Maximum opening: 4cm.

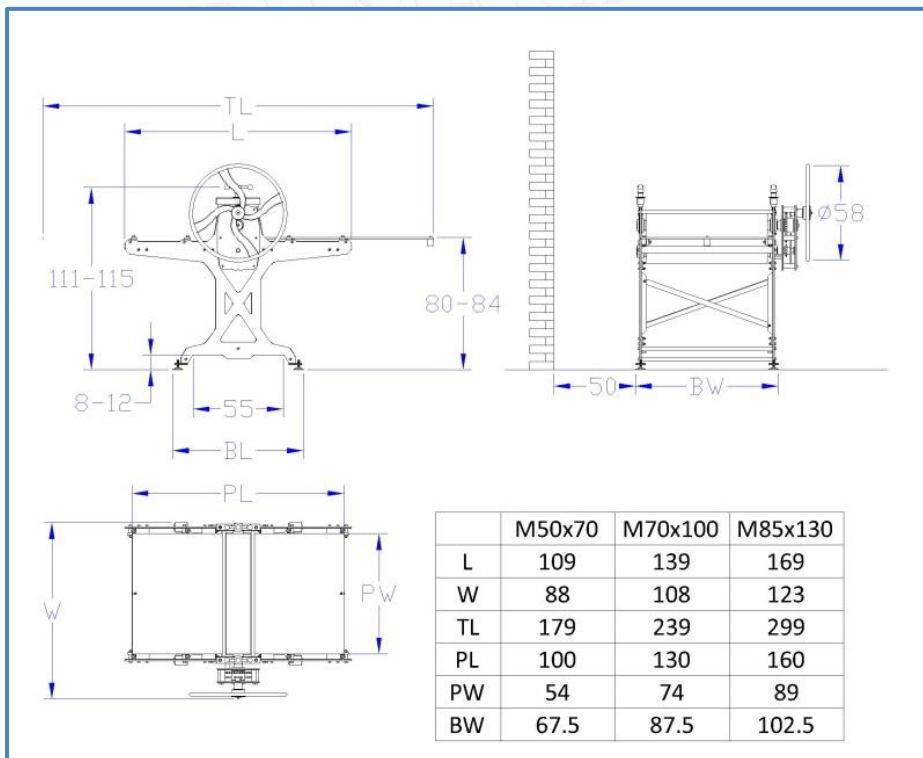
M Series Etching Presses



Technical Data

	M50x70	M70x100	M85x130
Upper Roller Diameter <i>cm</i>	15	15	15
Lower Roller Diameter <i>cm</i>	15	15	15
Reduction	1/9	1/12	1/15
Bed Plate Thickness <i>mm</i>	10	10	10
Bed Plate Width <i>cm</i>	54	74	89
Bed Plate Travel <i>cm</i>	82	122	142
Max Opening <i>cm</i>	4	4	4
Weight approx. <i>kg</i>	255	330	390

Dimensions (cm)



M Series Etching Presses