



## M Series Etching Presses

*The most popular, professional Etching Presses.*



The large diameter rollers (5.9 inches) ensure uniform pressure distribution.

Rollers are supported by oversized, maintenance-free bushings.

The large ratio gearbox and the large 4 spokes wheel, provide easy and smooth printing. The gearbox is mounted on the upper roller.

The bed plate is made of 0.39 inches high strength steel and has a 1mm galvanized steel cover. It is supported and guided by roller bearings and has elastic stops at the ends.

Press is supported by 4 swivel, adjustable height feet, so it can be placed on uneven ground.

Pressure gauges, with 0.1mm accuracy, provide ease of height adjustment when using different materials

Maximum opening: 1.6 inches.

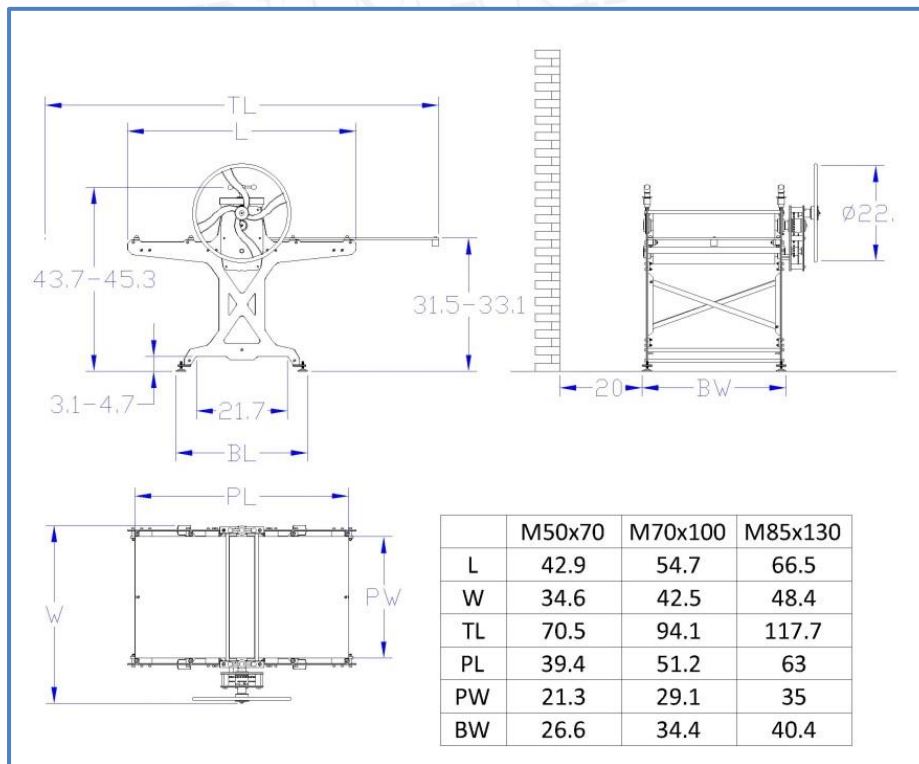
M Series Etching Presses



### Technical Data

|                                   | M50x70 | M70x100 | M85x130 |
|-----------------------------------|--------|---------|---------|
| Upper Roller Diameter <i>inch</i> | 5.9    | 5.9     | 5.9     |
| Lower Roller Diameter <i>inch</i> | 5.9    | 5.9     | 5.9     |
| Reduction                         | 1/9    | 1/12    | 1/15    |
| Bed Plate Thickness <i>inch</i>   | 0.39   | 0.39    | 0.39    |
| Bed Plate Width <i>inch</i>       | 21.3   | 29.1    | 35      |
| Bed Plate Travel <i>inch</i>      | 32.3   | 44.1    | 55.9    |
| Max Opening <i>inch</i>           | 1.6    | 1.6     | 1.6     |
| Weight approx. <i>lbs</i>         | 562    | 727     | 860     |

### Dimensions (inch)



### M Series Etching Presses