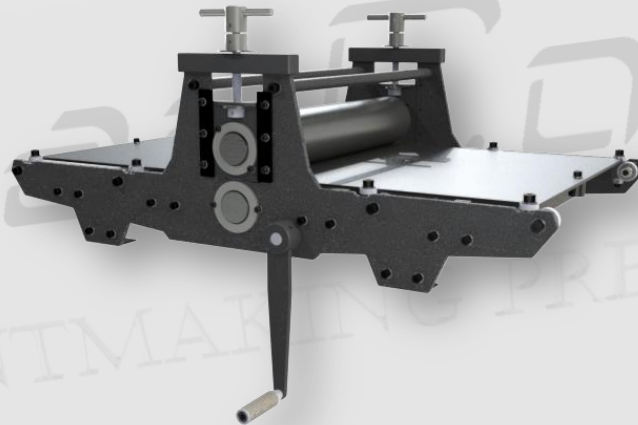




LT Series Etching Presses

The economical beginner's choice.



These presses are equipped with solid steel rollers, adequate for intaglio printing.

Rollers are supported by oversized, maintenance-free bushings.

The large gear reduction ratio provides easy and smooth printing. The driving gear is mounted on the lower roller.

The bed plate is made of 6cm high strength steel. It is supported and guided by roller bearings and has elastic stops at the ends.

Press has 4 mounting holes, so it can be fixed on a bench or table.

Pressure gauges, with 0.1mm accuracy, provide ease of height adjustment when using different materials

Maximum opening: 4cm.

LT Series Etching Presses



Technical Data

	LT35	LT50	LT70
Upper Roller Diameter <i>cm</i>	9.8	9.8	9.8
Lower Roller Diameter <i>cm</i>	7.8	7.8	7.8
Reduction	1/3	1/4	1/6
Bed Plate Thickness <i>mm</i>	6	6	6
Bed Plate Width <i>cm</i>	37	52	72
Bed Plate Travel <i>cm</i>	62	82	112
Max Opening <i>cm</i>	4	4	4
Weight approx. <i>kg</i>	90	120	165

Dimensions (cm)

