



LF Series Etching Presses

The best beginner's choice.



These presses are equipped with solid steel rollers, adequate for intaglio printing.

Rollers are supported by oversized, maintenance-free bushings.

The large ratio gearbox provides easy and smooth printing. The gearbox is mounted on the upper roller.

The bed plate is made of 6mm high strength steel. It is supported and guided by roller bearings and has elastic stops at the ends.

Press is supported by 4 swivel, adjustable height feet, so it can be placed on uneven ground.

Pressure gauges, with 0.1mm accuracy, provide ease of height adjustment when using different materials

Maximum opening: 4cm.

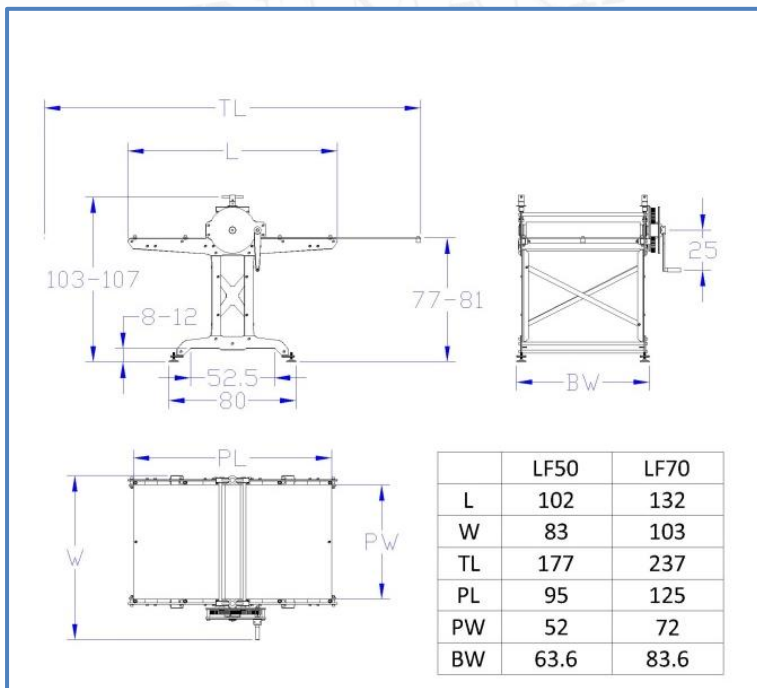
LF Series Etching Presses



Technical Data

	LF50	LF70
Upper Roller Diameter <i>cm</i>	9.8	9.8
Lower Roller Diameter <i>cm</i>	7.8	7.8
Reduction	1/5	1/7
Bed Plate Thickness <i>mm</i>	6	6
Bed Plate Width <i>cm</i>	52	72
Bed Plate Travel <i>cm</i>	82	112
Max Opening <i>cm</i>	4	4
Weight approx. <i>kg</i>	165	210

Dimensions (cm)



LF Series Etching Presses