



H Series Etching Presses

The "Top Line" Etching Presses.



The extra-large diameter rollers (24 to 27cm) ensure uniform pressure distribution.

Rollers are supported by oversized, maintenance-free bushings.

The large ratio gearbox and the large 5 spokes wheel, provide easy and smooth printing. The gearbox is mounted on the upper roller.

The bed plate is made of 10mm high strength steel and has a 1mm galvanized steel cover. It is supported and guided by adjustable roller bearings and has elastic stops at the ends.

Press is supported by 4 swivel, adjustable height feet, so it can be placed on uneven ground.

Pressure gauges, with 0.1mm accuracy, provide ease of height adjustment when using different materials

Maximum opening: 4cm (10cm upon request).

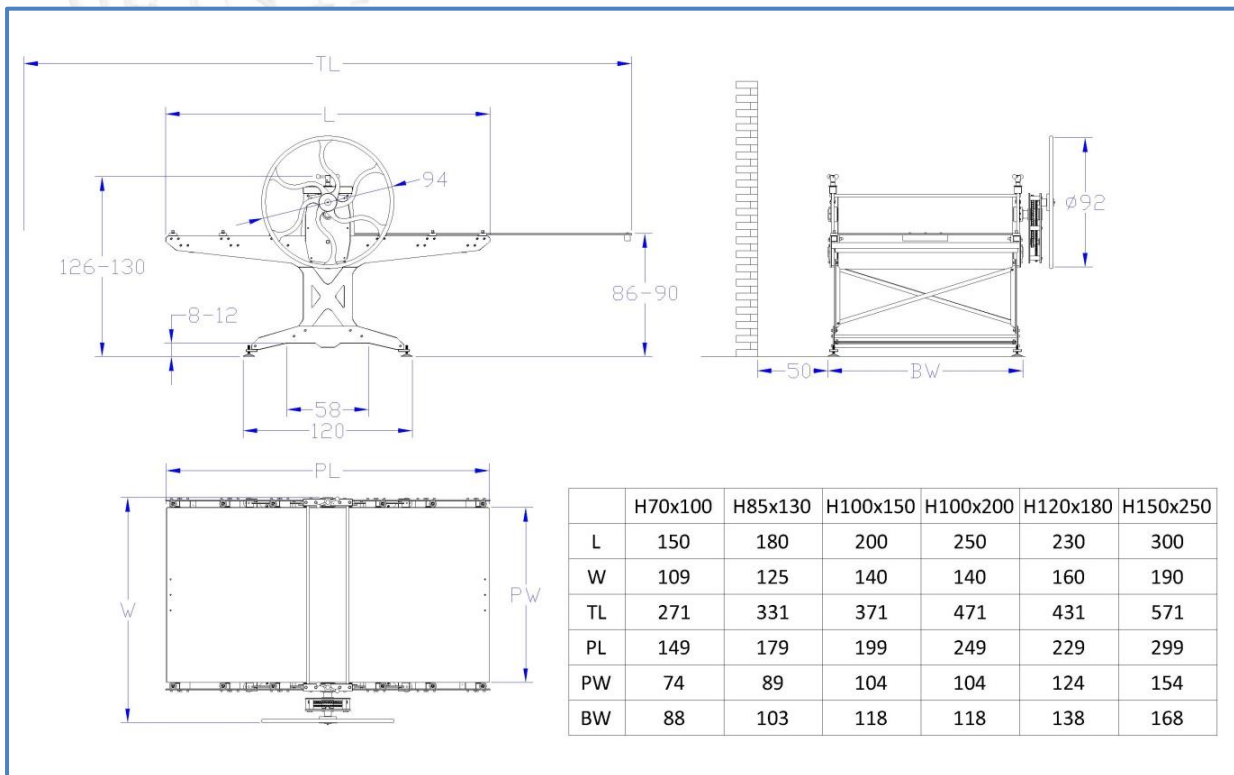
H Series Etching Presses



Technical Data

	H70x100	H85x130	H100x 150	H100x 200	H120x 180	H150x 250
Upper Roller Diameter <i>cm</i>	24	24	24	24	27	27
Lower Roller Diameter <i>cm</i>	24	24	24	24	24	27
Reduction	1/12	1/15	1/18	1/18	1/21	1/24
Bed Plate Thickness <i>mm</i>	10	10	10	10	10	10
Bed Plate Width <i>cm</i>	74	89	104	104	124	154
Bed Plate Travel <i>cm</i>	122	152	172	222	202	272
Max Opening <i>cm</i>	4	4	4	4	4	4
Weight approx. <i>kg</i>	530	620	760	820	870	1170

Dimensions (cm)



H Series Etching Presses